



FEATURES

- **For wireless re-transmission of NMEA 0183 AIS data**
- **Transmits a range of other NMEA 0183 data sentences**
- **Up to 3 WiFi connections and 5 TCP connections**
- **Connects with Tablets, Smartphones WiFi enabled Chartplotters etc.**
- **Ideal for AIS monitoring at various stations on a small vessel**
- **Comprehensive 802.11b/g/n network capability**
- **Quick and easy to configure and install**
- **Built-in USB port for local monitoring**
- **Universal DC power supply**
- **Rugged plastic housing**

INTERFACES

i300W NMEA TO WIFI INTERFACE

SKU: 001-1060

[View Online >](#)

OVERVIEW

The i300W NMEA to WiFi Interface provides a low cost method of setting up a wireless network on-board (802.11b/g/n), enabling you to use Apps e.g. Aqua Map, iSailor and OpenCPN on your smartphone/tablet or PC to display all your electronic data including position, AIS data, depth, wind, compass heading amongst other NMEA 0183 data. Simple to set up, the i300W has 2 NMEA inputs which are multiplexed to a single high speed data output which transmits NMEA 0183 data over WiFi and provides communication with any suitable NMEA devices. With 2 inputs, it can accept NMEA 0183 data at 4800 from any GPS, Chartplotter or other navigation instruments, plus a 38,400 baud input from any AIS receiver or transponder, so you only need one unit to collect and transmit all the navigation data of your boat via the wireless gateway.

For a vessel with a Chartplotter at the nav station, using the Comar i300W NMEA to WiFi interface, the helmsman can view all the navigation data on deck via a suitable device, and for boats with the Chartplotter at the helm, it's possible to check all the critical navigation data down below, making your boat's data truly portable.

APPLICATIONS

- A helmsman can view all the navigation data on deck via a suitable device such as a smartphone or tablet
- For boats with the Chartplotter at the helm, all the critical navigation data can be viewed from anywhere on the boat

RELATED PRODUCTS

[Comar Systems' range of AIS receivers](#)

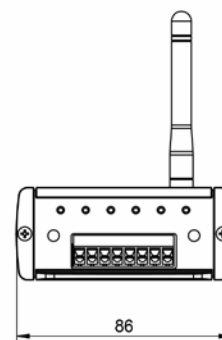
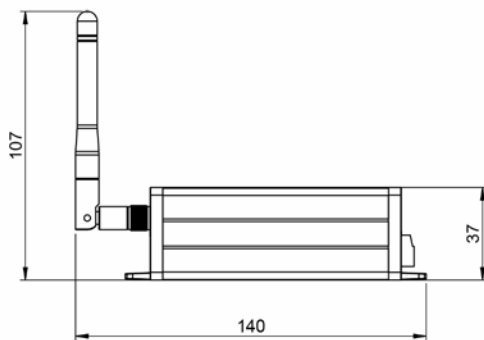
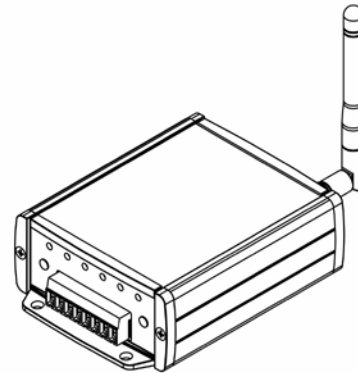
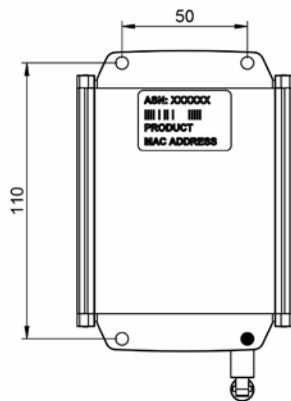
PHYSICAL	
Weight:	200g
Dimensions:	L 120 mm W 86 mm D 37 mm
Mounting:	To flat surface
Connections:	8-way Screw Terminals
Construction:	Plastic housing
Finish:	Black plastic, textured

ELECTRICAL	
Power:	9-30 V DC
Current:	100 mA @ 12 V DC

OPERATIONAL	
Input:	NMEA 0183 at 4800 Baud and 38,400 Baud
Output:	NMEA 0183 at 38,400 Baud
WIFI:	2.4 GHz 802.11b/g/n
Connections:	Up to 3 WiFi connections and 5 TCP connections

ENVIRONMENTAL	
IP rating:	IP40
Operating temp:	-15°C to +55°C
Compass:	Safe Distance 50 cm

ADDITIONAL	
<ul style="list-style-type: none"> A suitable App or Program is required to display the data 	



Copyright © 2019 Comar Systems Ltd. - i300W Datasheet v06r04

Vittlefields Technology Centre, Forest Road, Newport, Isle of Wight, United Kingdom. PO304LY
Comar Systems Ltd. reserves the right to make changes to its products and specifications without prior notice.