



TRANSPONDERS

T350 CLASS B SOTDMA AIS TRANSPONDER WITH WIFI

SKU: 001-2501

[View Online >](#)

FEATURES

- **Class B SOTDMA transmission standard**
- **Built-in Wi-Fi for wireless configuration and streaming AIS data to multiple devices**
- **Operates in Access Point, Station, or combined AP+STA modes**
- **Supports TCP/UDP connections for up to 24 simultaneous clients**
- **Compact design with simplified mounting and smaller footprint**
- **Rugged ABS housing with carbon-reinforced connector plates**
- **NMEA 0183 and NMEA 2000 compatible**
- **Automatic transmission of vessel position, speed, and heading**
- **Monitor other AIS-equipped vessels on a PC, tablet, or chart plotter**
- **Transmitter OFF mode for power saving or silent use**

OVERVIEW

The T350 is a compact, rugged Class B SOTDMA AIS transponder designed for commercial, fishing, and leisure vessels. It enables vessels to voluntarily broadcast their position, when not necessarily required to carry a Class A AIS transponder.

When connected to external VHF and GNSS antennas (not supplied), the T350 transmits your vessel's data while receiving AIS information from other vessels, shore stations, and aids to navigation.

Its smaller footprint and improved mounting simplify installation, while the durable ABS housing with carbon-reinforced connector plates ensures long-term reliability in demanding marine environments.

Built-in Wi-Fi allows AIS data to be streamed wirelessly to mobile devices, PCs, and tablets, supporting popular navigation apps. The Wi-Fi can operate as an onboard access point or connect to an existing network, enabling both AIS data sharing and internet access.

Programming and setup can be performed over USB with full compatibility with NMEA 0183 and NMEA 2000 systems.

APPLICATIONS

- Commercial boat, fishing boat and leisure markets.
- Meets the Class 'B' SOTDMA international standard

RELATED PRODUCTS

[AV100](#) - Stainless Steel Whip Antenna

[AV300](#) - Fibreglass VHF Antenna

[AV400](#) - Commercial Antenna for AIS

[AG100](#) - GNSS Antenna

PHYSICAL	
Weight:	250 g
Dimensions:	L 140 x W 120 x H 37 mm
Mounting:	To flat surface, #6 (3.5mm Dia) Pan Screws
Connections:	Power/NMEA0183: M12/8 connector Antenna: BNC Connector GNSS Antenna: TNC Connector NMEA 2000: M12/5 Connector USB: USB 2.0 Type B Connector
Construction:	ABS Enclosure, PETG-CF Connector Panels
Finish:	Black Fine-texture ABS

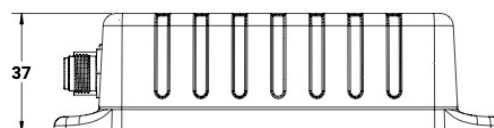
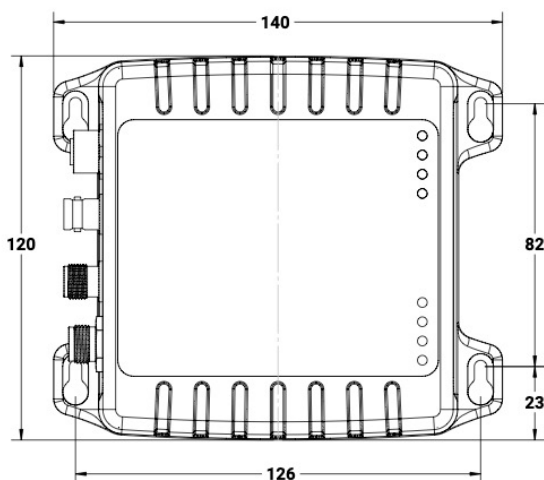
OPERATIONAL	
VHF Transceiver:	Transmitter x1; Receiver x2
Transmission Power:	5 W (SOTDMA)
VHF Antenna Impedance:	50 Ω
Operating Frequency:	156.025 – 162.025 MHz
Channel Bandwidth:	25 kHz
Data Received:	<ul style="list-style-type: none"> • Class 'A' and Class 'B' AIS Transmissions • Safety messages • Aids to Navigation
Data Transmitted:	<ul style="list-style-type: none"> • Name of Vessel • MMSI • Position • Speed (SOG) • Course (COG) • Type of Vessel • Call Sign • Heading • Vessel Dimensions
GNSS Antenna Impedance:	50 Ω
LED Indicators:	On, TX, RX, WiFi, Error, TX Off, Timeout, Status

ELECTRICAL	
Power Supply:	12 V dc (9.6 - 15.6 V dc); 250 mA; 3 W nominal
Peak Current Rating:	2.5 A
Data Output:	NMEA 0183: 38,400 and 4,800 Baud

Wi-Fi	
WiFi Module:	Built-in, 2.4 GHz
WiFi Modes Supported:	Access Point, Station, AP+STA
WiFi Security:	WPA/WPA2, configurable SSID & password
WiFi Network Protocols:	TCP/IP, UDP/IP
WiFi Data Output:	AIS & GNSS NMEA 0183 over TCP/UDP, or USB
WiFi Configuration:	Via integrated web interface

ENVIRONMENTAL	
IP Rating:	IP40
Operating temp:	-15°C to +55°C
Storage temp:	-15°C to +70°C
Operating humidity:	0-93% RH, non-condensing
Compass:	Safe Distance 50 cm

ADDITIONAL	
Supplied:	T350 Transponder Unit, M12/8 Power & Data Cable, 1m USB cable, 1m
Supplied:	SO239/PL259 Antenna Connector Adaptor
Required GNSS Antenna:	Recommended: Comar AG100 for AIS re-transmission of Vessel Position
Required AIS Antenna:	Recommended: Comar AV100, AV300 or AV400 AIS VHF Antennas



Copyright © 2026 Comar Systems Ltd. - T350 Datasheet v07r01

Vittlefields Technology Centre, Forest Road, Newport, Isle of Wight, United Kingdom. PO304LY
Comar Systems Ltd. reserves the right to make changes to its products and specifications without prior notice.